

Heat Exchanger



Function:

In a rendering plant the Heat Exchanger is used to recover the energy from the vapour stream created by the Batch Cooker, Supercookor or Hydrolyzor. This energy can be used to make hot water for cleaning or other purposes.

Features:

- Closed system; the two streams do not come in direct contact with each other
- Rigid construction; all materials which come in contact with the vapours and condensate are made of stainless steel
- Tubes are made of stainless steel

Capacity / Range:

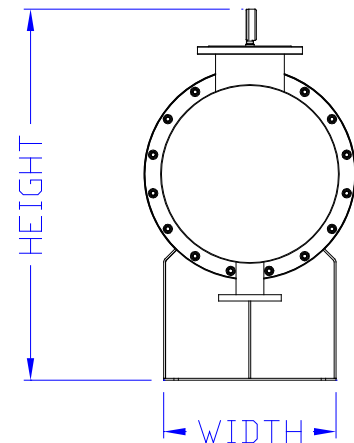
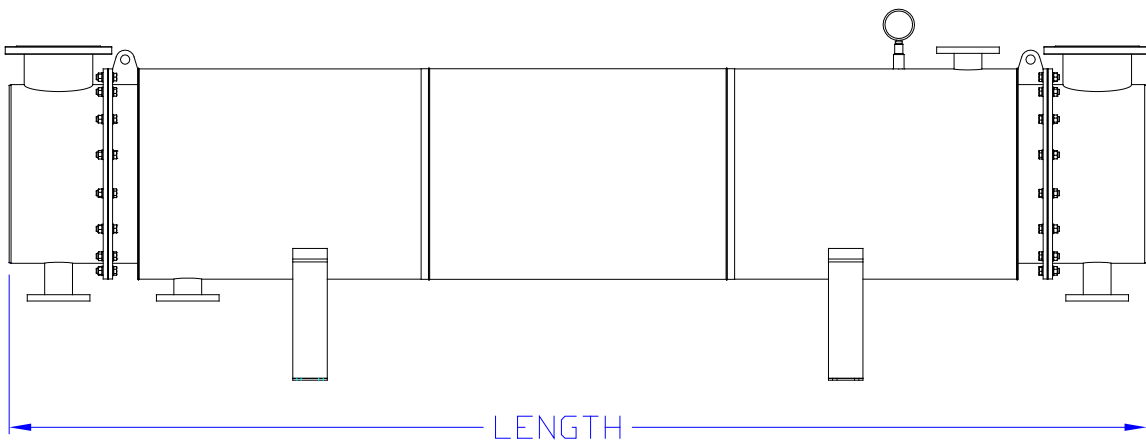
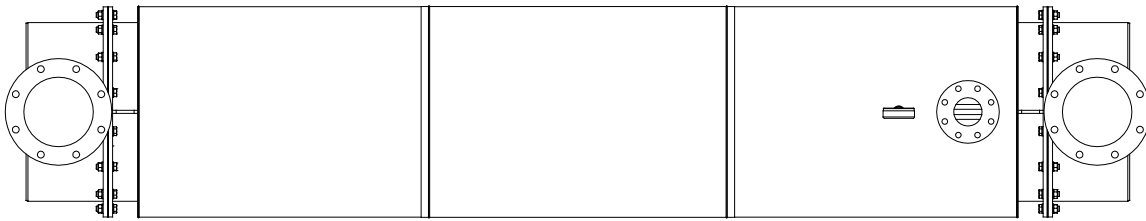
Our Heat Exchangers are designed according to specific client needs.

Heat recovery from a hot air/vapour stream. The heat exchanger is feasible from small batch to large continuous installations!



MAVITEC

Heat Exchanger



Due to ongoing product improvements, data shown here is subject to change without notice.
Contact Mavitec B.V. for latest specifications.

MAVITEC

Galileistraat 32, 1704 SE Heerhugowaard, The Netherlands
Tel.: +31 (0)72 574 59 88 - info@mavitec.com - www.mavitec.com

Maximize the value of your by-products!