

Feather Press



Function:

The Feather Press is specially designed for the pre-separation of transfer water from broiler feathers and reduces the amount of bound water in the feathers.

Features:

- Special inlet hopper
- Stainless steel splash shields
- Stainless steel Drip pan
- Carbon steel main cage
- Replaceable bar spacers
- Main shaft with continuous flight arrangement

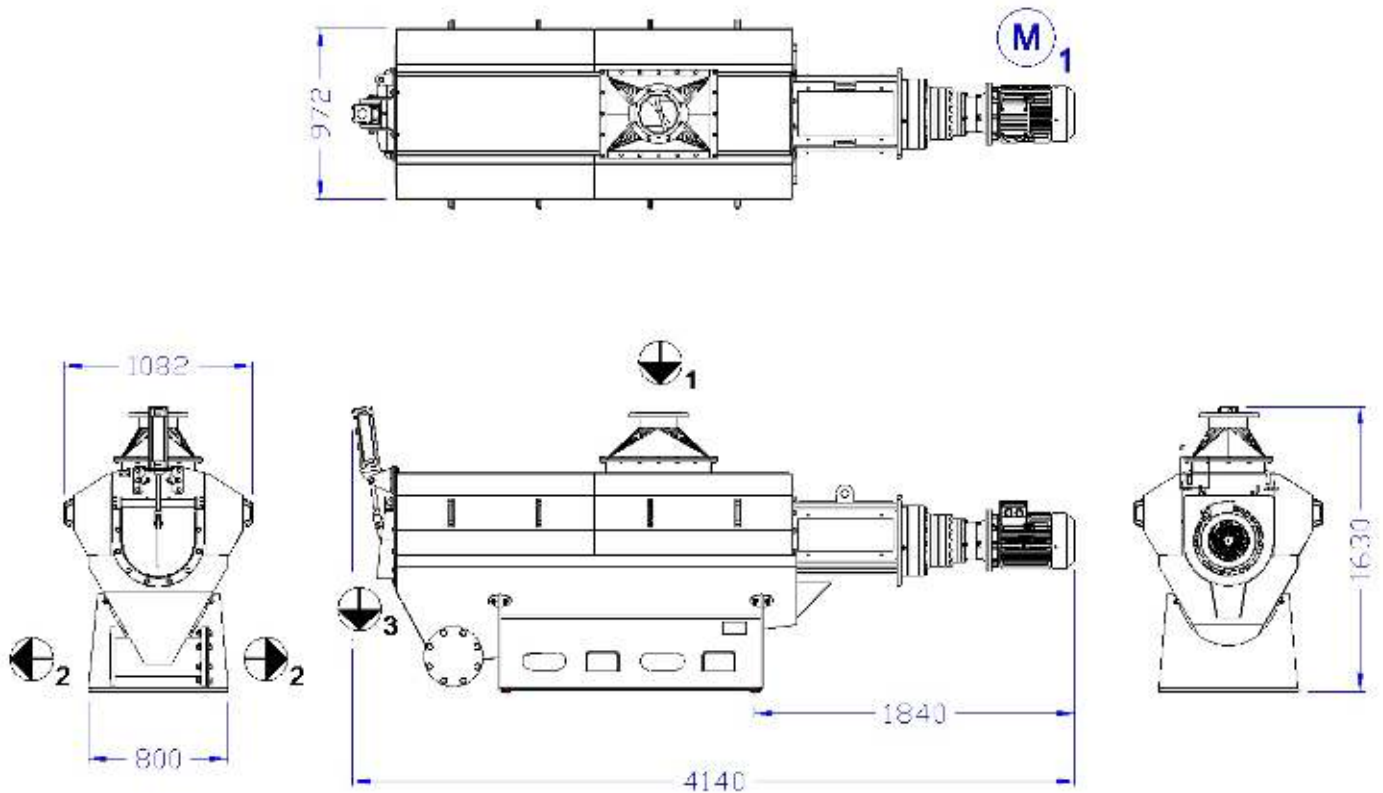
Capacity:

Up to 15.000 birds per hour



MAVITEC

Feather Press



Power	Weight	Length	Width	Height
kW	kg	mm	mm	mm
15	1600	4140	1082	1630

Due to ongoing product improvements, data shown here is subject to change without notice.
Contact Mavitec B.V. for latest specifications.

MAVITEC

Galileistraat 32, 1704 SE Heerhugowaard, The Netherlands
Tel.: +31 (0)72 574 59 88 - info@mavitec.com - www.mavitec.com

Maximize the value of your by-products!