

Deodorizing System



Features

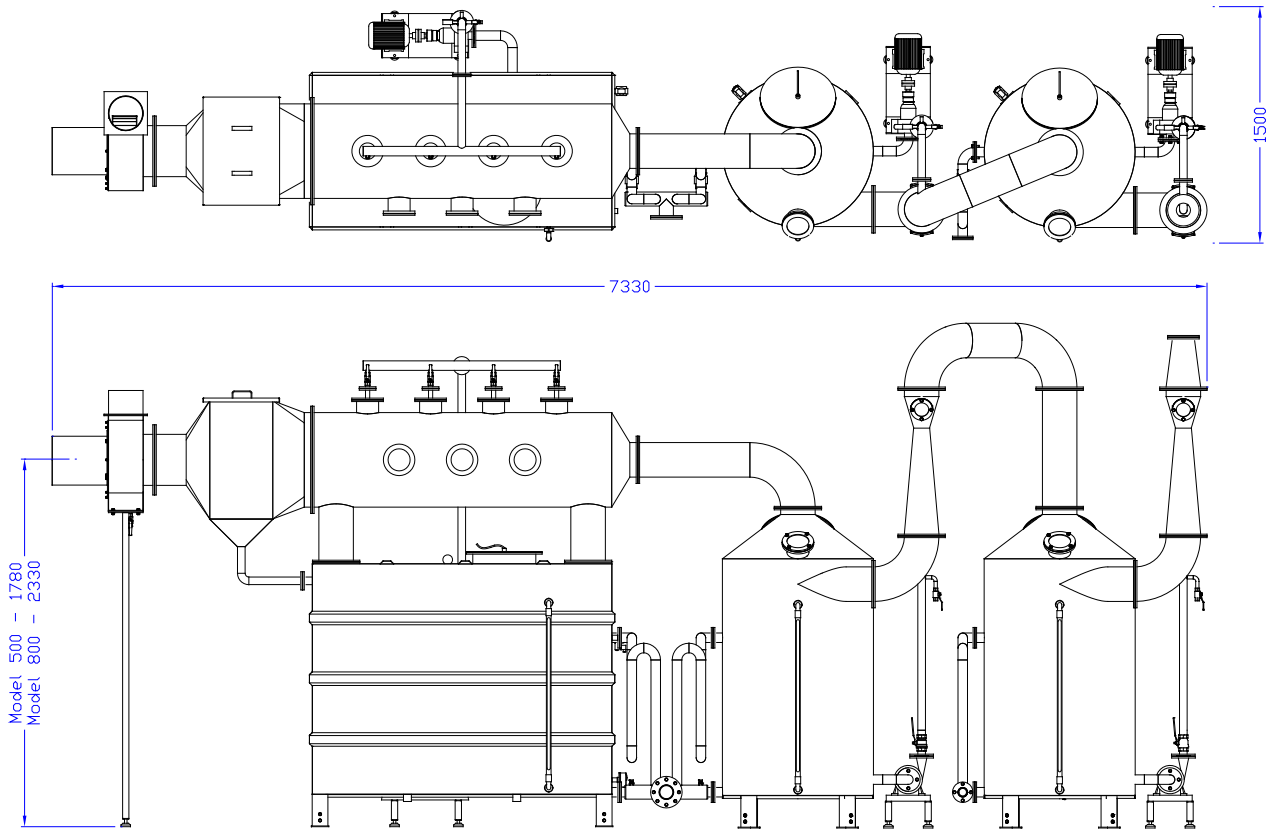
- The most effective system to control noxious odors from non-condensable gases
- It removes particles from the non-condensable gases and process air
- It washes the odorous units from the non-condensable gases and process air
- It oxidizes the odorous units from the non-condensable gases and process air
- Proven in rendering applications worldwide

Way of Operating

The total volume of non condensable gases and process air (if applicable) are drawn through a vertical venturi spray wash unit and the both (when specified) horizontal deodorizing units. As the air passes through the venturi and deodorizing spray wash unit it is primary scrubbed by a counterflow water spraying system, pumping recirculated water from the bottom holding tank. The air is cleaned by demister filter that collects any dust particles present in the air stream. The venturi spray wash unit cools and humidifies the air prior to being treated in the deodorizing section. The bottom holding tank is completed with a water inlet ball float valve to maintain the water level, and temperature sensing valve to control the water temperature. Should the temperature rise above a predetermined level, more water is added to the tank, causing the tank to overflow to the drains and thereby reducing the water temperature in the tank (max. 35°C). The drain valve installed, enables the collected sludge to be drained at regular times. The venturi and deodorizing spray wash unit requires weekly monitoring to ensure that the spray nozzles have not become blocked and to check whether the demister filter mats require cleaning. Demister filter mats cleaning requires removal of the mats and back flushing with a steam/water lance. After the gases have been handled by the deodorizer unit the non-condensables fan will vent into the atmosphere.

MAVITEC

Deodorizing System



Specifications

Model	Length	Width	Height
Capacity kg/h	mm	Mm	mm
500	7330	1500	1780
800	7330	1500	2330

Due to ongoing product improvements, data shown here is subject to change without notice.
Contact Mavitec B.V. for latest specifications.

MAVITEC

Galileistraat 32, 1704 SE Heerhugowaard, The Netherlands
Tel.: +31 (0)72 574 59 88 - info@mavitec.com - www.mavitec.com

Maximize the value of your by-products!