

# Feather Press



## Function:

The Feather Press is specially designed for pre-separation of transfer water from broiler feathers and therewith reducing the amount of bound water in the feathers.

## Features:

- Special inlet hopper
- Stainless steel splash shields
- Stainless steel Drip pan
- V-Belt arrangement
- Carbon steel main cage
- Replaceable bar spacers
- Main shaft with continuous flight arrangement

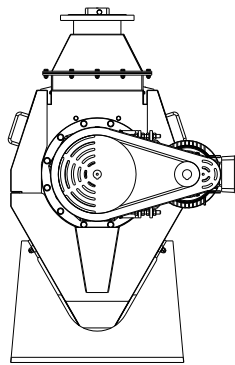
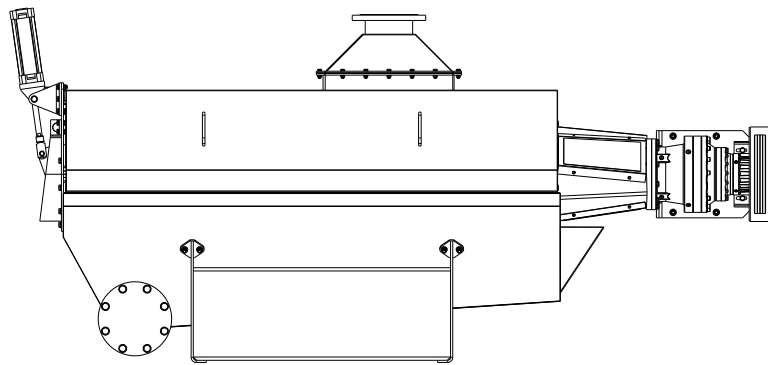
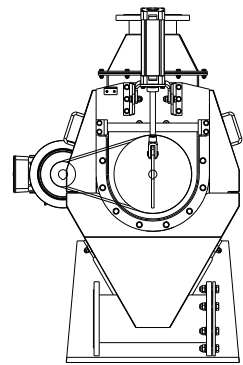
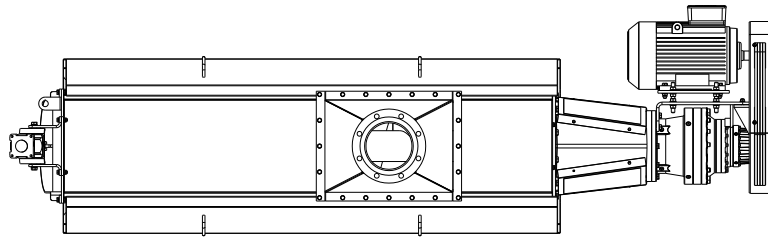
## Capacity:

Up to 13.500 birds per hour



**MAVITEC**

# Feather Press



Due to ongoing product improvements, data shown here is subject to change without notice.  
Contact Mavitec B.V. for latest specifications.

# MAVITEC

Galileistraat 20, 1704 SE Heerhugowaard, The Netherlands  
Tel.: +31-72-574 59 88 - Fax: +31-72-574 55 48  
E-mail: [info@mavitec.com](mailto:info@mavitec.com) - [www.mavitec.com](http://www.mavitec.com)