



Discor[®] **Rotary Disc** **Cooker/Dryer**

**Maximum heat transfer
area per square foot
of floor space.**

**Proven rotary
disc design.**



- The rugged, space-efficient Dupps Discor packs up to 4,400 square feet of heat transfer surface into a compact unit.
- Discor's rotary closed-loop steam system prevents condensate and non-condensable gas build-up in the discs for more efficient heat transfer.
- Extra corrosion allowance on discs and fewer exposed welds means extended service life and low maintenance costs.
- Discor features a direct-coupled, torque arm-mounted speed reducer.
- Stainless steel construction is optional.

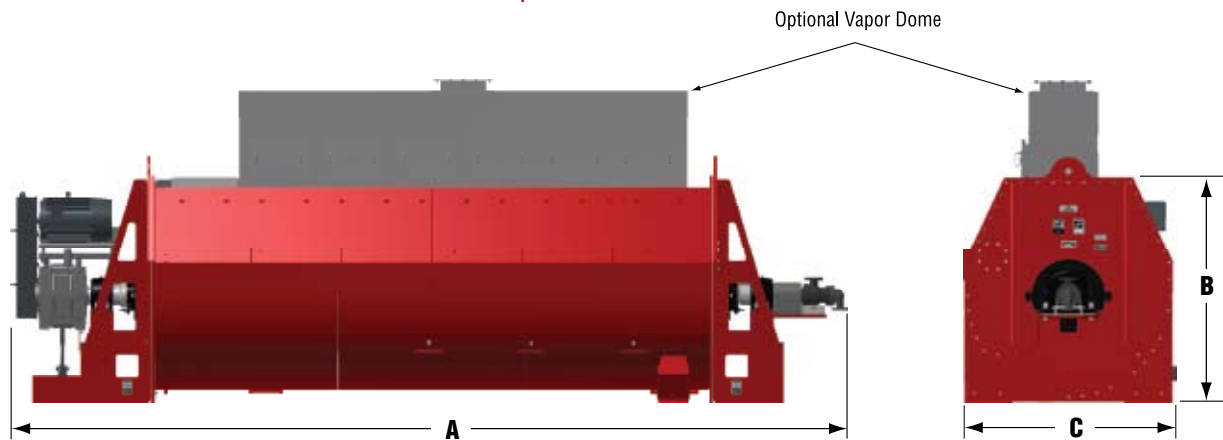
Discor Rotary Disc Cooker/Dryer

Maximum heat transfer
area per square foot
of floor space.

Proven rotary
disc design.



Discor shaft with rotary discs.



Model	A - Length	B - Height	C - Width	Weight	Heat Transfer Surface
1250	9,601 mm • 31' 6"	2,489 mm • 8' 2"	2,057 mm • 6' 9"	34,019 kg • 75,000 lbs	116 m ² • 1,250 ft ²
1750	9,601 mm • 31' 6"	2,540 mm • 8' 4"	2,159 mm • 7' 1"	36,287 kg • 80,000 lbs	163 m ² • 1,750 ft ²
2150	9,601 mm • 31' 6"	2,591 mm • 8' 6"	2,388 mm • 7' 10"	40,823 kg • 90,000 lbs	200 m ² • 2,150 ft ²
2400	10,211 mm • 33' 6"	2,591 mm • 8' 6"	2,388 mm • 7' 10"	45,359 kg • 100,000 lbs	223 m ² • 2,400 ft ²
3350	10,973 mm • 36' 0"	2,997 mm • 9' 10"	2,692 mm • 8' 10"	64,410 kg • 142,000 lbs	312 m ² • 3,350 ft ²
4400	13,183 mm • 43' 3"	3,124 mm • 10' 3"	2,692 mm • 8' 10"	77,111 kg • 170,000 lbs	409 m ² • 4,440 ft ²

Due to ongoing product improvements, data shown here is subject to change without notice.

The Dupps Company



Germantown, Ohio U.S.A.

Phone: 937/855-6555

Fax: 937/855-6554

E-mail: info@dupps.com

Visit www.dupps.com to explore the world's leading protein recycling systems, equipment and service.

© 2013 The Dupps Company Printed in U.S.A.