

Feather Press



Function: the Feather Press is specially designed for pre-separation of transfer water from broiler feathers and therewith reducing the amount of bound water in the feathers.

Features:

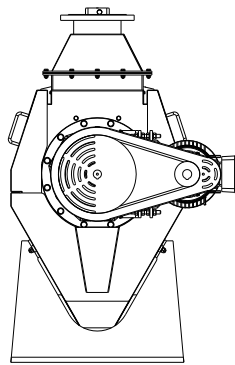
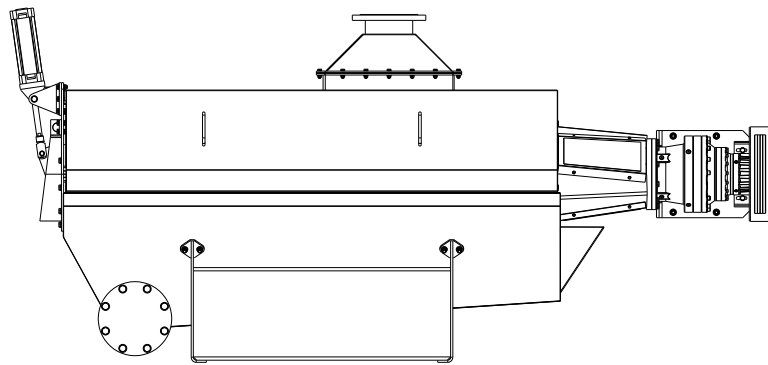
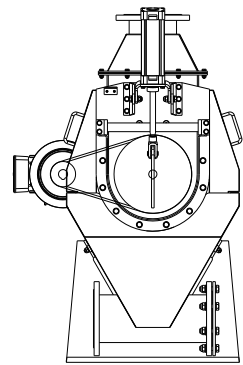
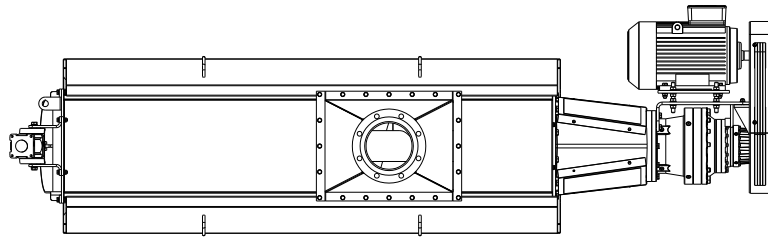
- Special inlet hopper
- Stainless steel splash shields
- Stainless steel Drip pan
- V-Belt arrangement
- Carbon steel main cage
- Replaceable bar spacers
- Main shaft with continuous flight arrangement.

Capacity: Up to 13.000 birds per hour



MAVITEC

Feather Press



Due to ongoing product improvements, data shown here is subject to change without notice.
Contact Mavitec B.V. for latest specifications.

MAVITEC

Galileistraat 20, 1704 SE Heerhugowaard, The Netherlands
Tel.: +31-72-574 59 88 - Fax: +31-72-574 55 48
E-mail: info@mavitec.com - www.mavitec.com