

Martinater® 700

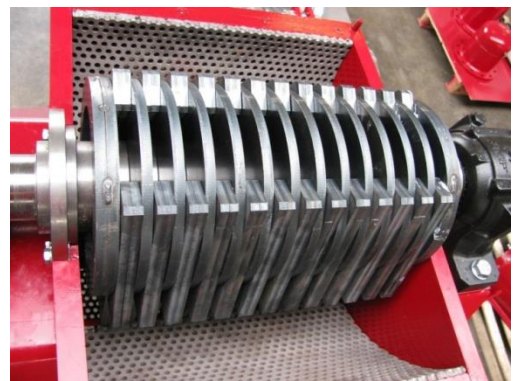


Function : to grind shop returns, restaurant returns and any other food products suitable for recycling and/or biogas additives.

Features:

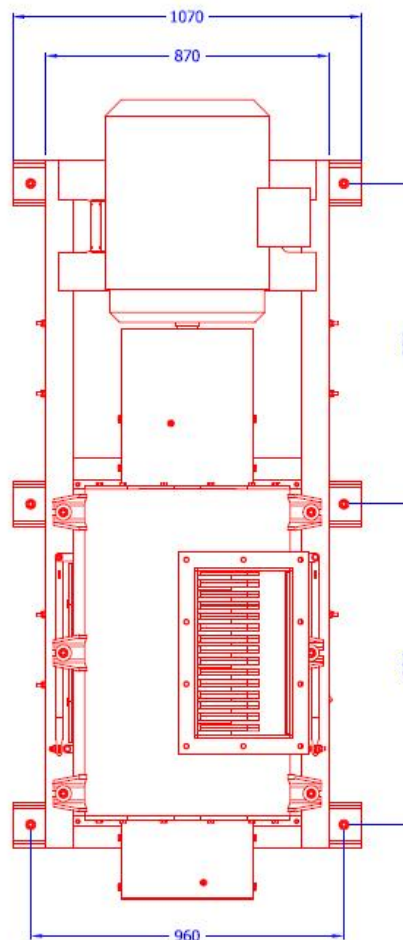
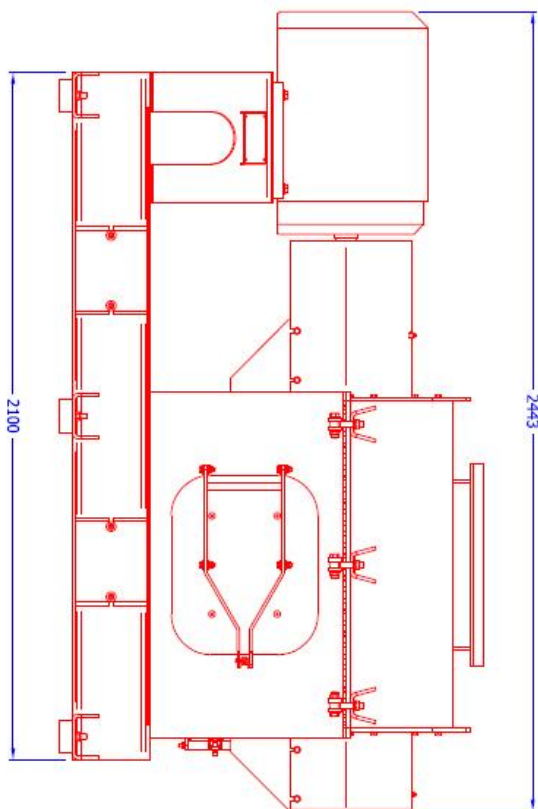
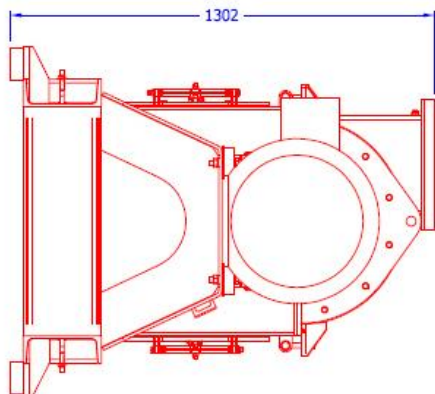
- Heavy duty execution
- Simple, Low maintenance design
- Compact size
- Swing hammer principle
- Variable sizes available due to easy change of screens
- Special collection section for tramp materials

Capacity*: (* depends on material composition)
7,5 m³ per hour up to 20m³ per hour



MAVITEC

Martinater® 700



Due to ongoing product improvements, data shown here is subject to change without notice.
Contact Mavitec B.V. for latest specifications.

MAVITEC

Galileistraat 20, 1704 SE Heerhugowaard, The Netherlands
Tel.: +31-72-574 59 88 - Fax: +31-72-574 55 48
E-mail: info@mavitec.com - www.mavitec.com