



## **Prehogor™** **Prebreaker**

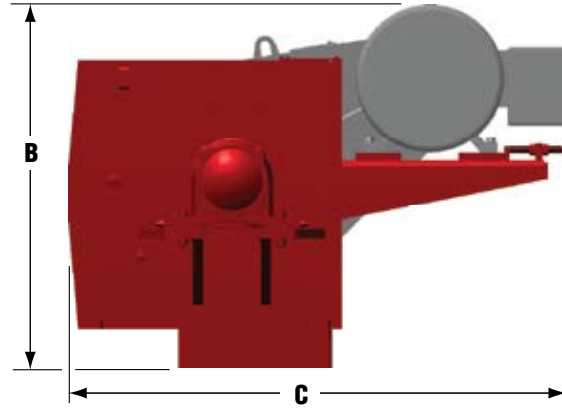
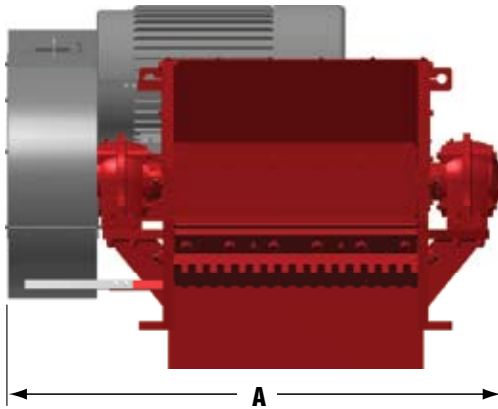
**Compact, low cost solution  
for primary size reduction  
of hard materials.**



- The Dupps Prehogor's hard-surfaced rotor teeth and heat-treated twin anvil assemblies break even the hardest feed stock into approximately 1" to 2" pieces. The first anvil assembly provides the initial breaking action, the second assures uniform sizing.
- Handles up to 35 tons (31,815 kg) per hour, depending upon material.
- Anvils and spacers are removable and replaceable for fast, on-the-spot maintenance. Rotor teeth are designed for easy build-up and regrinding.
- The rotor is driven through heavy-duty grip-notch belts at a 525 RPM working speed—ideal for consistent break-up, high throughput and long-lived reliability.
- Prehogor is available in motor sizes between 60 and 200 horsepower (45.5 to 149 kw).

# Prehogor™ Prebreaker

Compact, low cost solution  
for primary size reduction  
of hard materials.



A - Length	B - Height	C - Width	Weight	Capacity*
1,829 mm • 72"	1,283 mm • 50 1/2"	1,829 mm • 72"	4,082 kg • 9,000 lbs	31,815 kg/hr • 35 tons/hr

\*Dependant upon raw material.

Due to ongoing product improvements, data shown here is subject to change without notice.

**The Dupps Company**



Germantown, Ohio U.S.A.  
Phone: 937/855-6555  
Fax: 937/855-6554  
E-mail: info@dupps.com

Visit [www.dupps.com](http://www.dupps.com) to explore the world's leading protein recycling systems, equipment and service.

© 2013 The Dupps Company Printed in U.S.A.